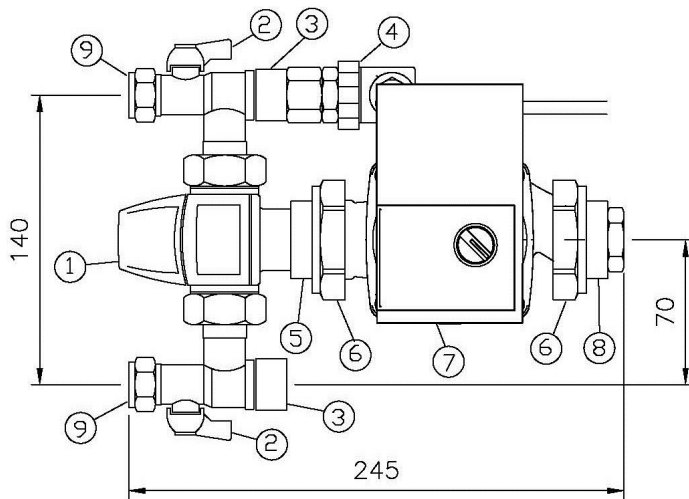


Single Loop Underfloor Heating with Thermostatic mixing valve



ITEM	DESCRIPTION	QTY
1	VTA362 - TMV 35-60 DEG C KV1.3	1
2	ISOLATION BALL VALVE	2
3	1/2 BSP FEMALE ADAPTOR	1
4	TEMPERATURE SWITCH 50 DEG C	1
5	1" BSP X 1 1/2" FLANGE ADAPTOR	1
6	1 1/2" PUMP FLANGE NUT	1
7	YONOS PARA PUMP	1
8	1/2" BSP FEMALE ADAPTOR	1
9	1/2 COMPRESSION CONNECTIONS	2

- Boxed set pre-assembled for immediate installation, including:
- Thermostatic mixing valve adjustable from 35°C to 60°C
 - Temperature switch for pump control on inlet water temperature
 - Wilo Yonos Para RS25/6-RKA circulating pump
 - 1/2" BSP female connection to underfloor flow and return
 - Generally nickel plated for improved appearance
 - Built-in isolating valve in flow/return elbow
 - 15mm compression connection flow and return
 - TMV body kvs 1.3