

Gate valve

R55



Description

Gate valve with female threads.

It is suitable for use with cold water, hot water and steam at low pressure. It satisfies the requirements of PED 97/23/CE Directive, according to which, it is exempted from CE marking according to 3.3 paragraph.

WRAS Approved

Materials

- Body:: CW 617N – UNI EN 12165 (from 3/8" to 2").
- Particulars in forged brass (CW 617N – UNI EN 12165) and machined from bar (CW 614 N – UNI EN 12164).
- PTFE external sealing..
- Handwheel: Alluminium (from 3/8" to 3").
- Zinc plated steel nut for fixing of the handwheel.

Working conditions

Working temperature:

0°C ÷ 110°C

32°F ÷ 230 °F

Maximum pressure:

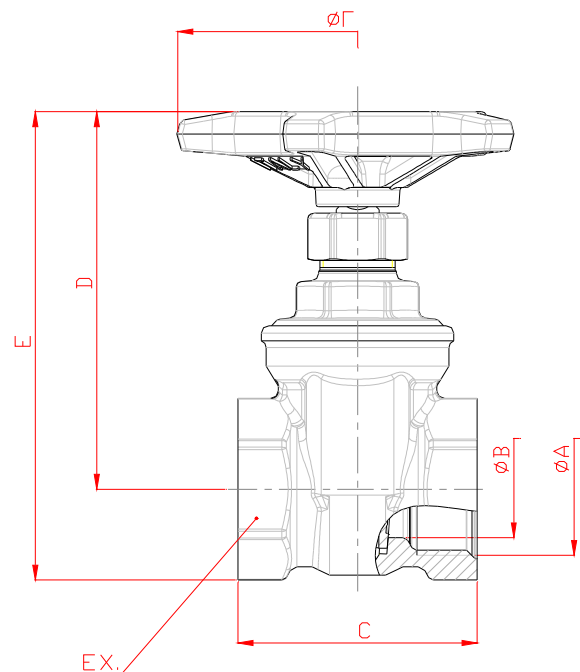
16 bar / 232 psi (from 3/8" to 2")

10 bar / 145 psi (from 2" ½ to ' ")



Dimensions:

ØA	ØB	C	D	EX.	E	F
3/8"	12	37	60	22	72	59
1/2"	14	43	64	26	79	59
3/4"	19	48	76	32	94	72
1"	25	54	87	39	109	72
1 1/4	32	62	96	49	130	84
1 1/2	38	64	116	55	147	95
2"	51	76	140	68	178	108
2 1/2	60	80	186	84	233	145
3"	70	84	198	99	256	145



Use Instructions

Gate valves can be horizontal or vertically installed. The slow and proportional movement avoids the water hammer phenomenon. We recommend care be taken during installation paying attention to the dimensions to avoid forcing the pipe screwing and deforming the sealing seats.

Gate valves can also work in mid position so as to reduce the capacity of flow.

ESSCO CONTROLS LIMITED

UNIT 11 SOLENT INDUSTRIAL ESTATE, SHAMBLEHURST LANE SOUTH

HEDGE END, SOUTHAMPTON. SO30 2FX

TEL: 01489 779068 FAX: 01489 779069