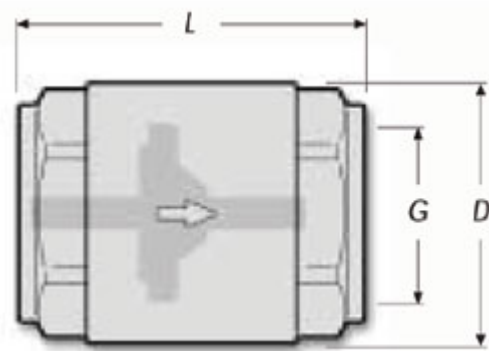


VAC-5KV

Universal Check Valve—metal insert & Viton seal

Max working temperature = 150°C

Opening pressure 0.02Bar



*bar	35	35	35	35	25	25	25	12	12	12
D	29	30	37	44	56	63	78	103	120	155
L	45	48	53	59	66	71	80	93	104	119
G	3/8"	1/2"	3/4"	1"	1"1/4	1"1/2	2"	2"1/2	3"	4"
**P/gr	95	115	175	270	390	510	835	1530	2150	3760

* bar = max working pressure

** P/gr = Unit weight in grammes

Essco Controls Ltd

Unit 11, Solent Ind. Estate, Shamblehurst Lane South

Hedge End, Southampton, SO30 2FX

Tel : 01489 779068, Fax : 01489 779069

E-mail : Sales@esscocontrols.co.uk