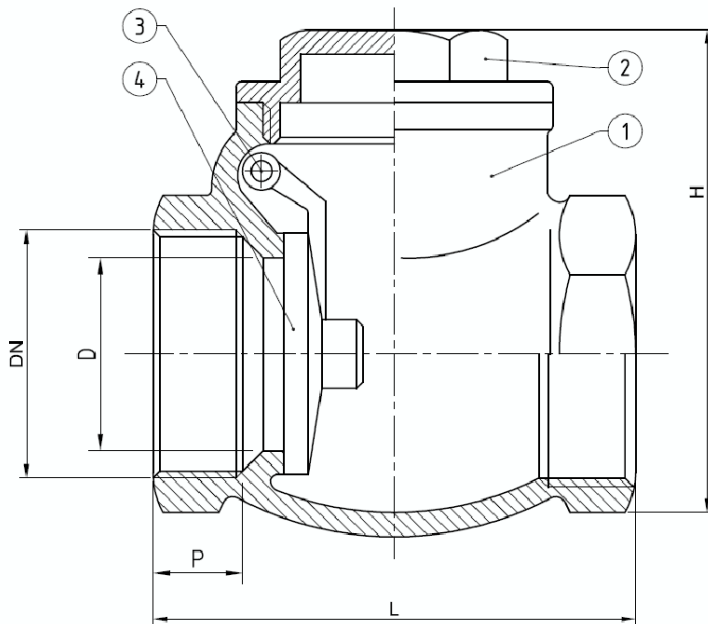


## 1NRV - Brass Swing Check Valve



\* Screwed BSP Parallel

\* Metal to Metal Seat & Disk

\* Screwed-In Cap

\* Max 10 bar CWP

No	Name	Material	No
1	Body	BRASS-CW617N UNI EN12165	6
2	Cap	BRASS-CW617N UNI EN12165	7
3	Pin	BRASS-CW614N UNI EN12164	8
4	Disc	BRASS-CW617N UNI EN12165	9

Mark / DN	1/2"	3/4"	1"	1 1/4"	1 1/2"	2"
P mm	8	8	10	10	10	11
L mm	47	53	63	74	87	97
H mm	46	51	61	73	85	94
D mm	15	20	25	33	37	47
Weight kg	0.161	0.233	0.352	0.458	0.724	1.01

Essco Controls Ltd

Unit 11, Solent Ind. Estate, Shamblehurst Lane South

Hedge End, Southampton, SO30 2FX

Tel : 01489 779068, Fax : 01489 779069

E-mail : Sales@esscocontrols.co.uk