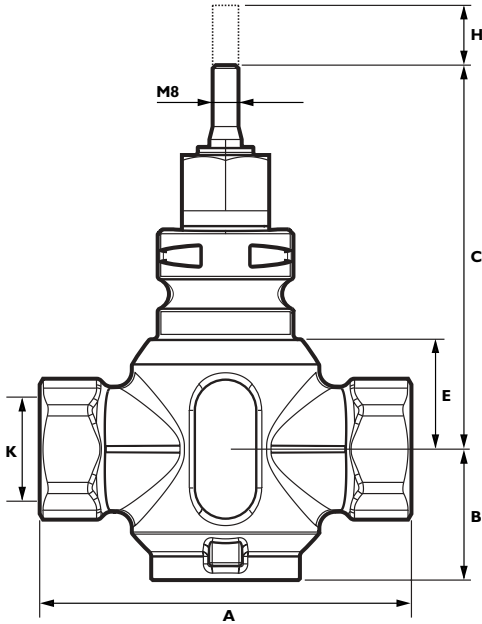


### VL2TA 2 port DN15/50 female threaded BSP PN16



VL2TA is a 2 port threaded valve for PN16, DN 15–50. Suitable actuators for this valve are Series 200 / 210 / 230.

#### Media

The valve can handle the following types of media:

- Hot and chilled water.
- Water with antifreeze additives such as glycol.

If the valve is used for media at temperatures below 0°C (32°F), it should be equipped with a stem heater in order to prevent ice formation on the valve stem.

#### Material

Body	– Nodular iron EN-JS 1030
Stem	– Stainless steel SS 2346
Plug	– Brass DZR, CW602N
Seat seal	– EPDM
Packing box seal	– PTFE/EPDM
Seat	– Nodular iron EN-JS 1030

#### Technical data

Type	– 2 port plug valve
Pressure class	– PN16
Flow characteristic	– EQM
Stroke	– 20 mm
Rangeability Kvs/Kv min	– >50
Leakrate	– <0.001% of Kvs
Temperature of medium	– max. +120°C min. -20°C
Connections	– Female threaded

Art No.	A	B	C	E	H	K	DN	Weight		
								kg	Kvs*	Kv/Kv <sup>min</sup>
Z70250	85	38.5	108.5	23.5	20	1/2" BSP	15	1	1.6	>50
Z70260	85	38.5	108.5	23.5	20	1/2" BSP	15	1	2.5	>50
Z70270	85	38.5	108.5	23.5	20	1/2" BSP	15	1.1	4	>50
Z70280	100	40.5	115	30	20	3/4" BSP	20	1.2	6.3	>50
Z70290	115	40.5	119	34	20	1" BSP	25	1.3	10	>50
Z70300	130	41	120	35	20	1 1/4" BSP	32	1.8	16	>50
Z70310	150	50	127.5	42.5	20	1 1/2" BSP	40	2.7	25	>50
Z70320	180	59	138	53	20	2" BSP	50	4.2	38	>50

\*For sizing see table on page 48