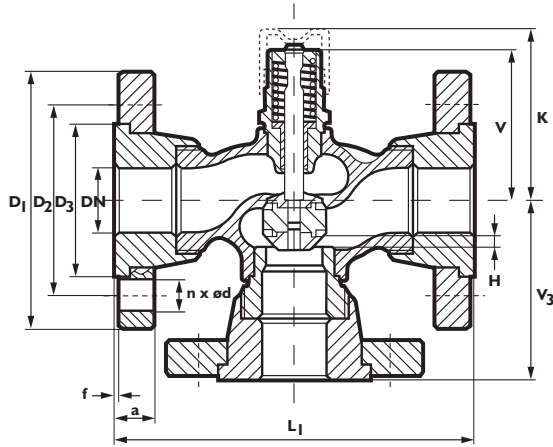


### VL3FL 3 port DNI5/40 flanged PN16



VL3FL is a 3 port flanged valve for PN 16 DN 15 – 40. Suitable actuators for this valve are Series 220.

#### Media

The valve can handle the following types of media:

- Hot and chilled water.
- Water with antifreeze additives such as glycol.

#### Material

- Body – Grey cast iron EN-JL 1040
- Stem – Stainless steel 1.4021
- Plug – Stainless steel 1.4021
- Seat seal – EPDM
- Packing box seal – EPDM
- Seat – Grey cast iron EN-JL 1040

#### Technical data

- Type – 3 port plug valve
- Pressure class – PN16
- Flow characteristic A–AB – DN 15–25 EQM  
DN 32–40 Linear
- Flow characteristic B–AB – Linear
- Stroke – 5,5 mm
- Rangeability Kvs/Kv min – 50
- Leakrate A–AB – <0,001% of Kvs
- ΔP Max – See table
- Temperature of medium – max. +150°C  
min. +2°C

#### Connections

- Flanged

Art No.	H	L1	V	V1	V2	V3	D1	D2	D3	a	f	n	d	K	DN	Kvs*	ΔP <sub>max</sub>	Weight
																		kg
Z77340	5.5	130	67	36.5	42.5	65	95	65	45	16	2	4	14	77	15	0.25	400	3.1
Z77350	5.5	130	67	36.5	42.5	65	95	65	45	16	2	4	14	77	15	0.4	400	3.1
Z77360	5.5	130	67	36.5	42.5	65	95	65	45	16	2	4	14	77	15	0.63	400	3.1
Z77370	5.5	130	67	36.5	42.5	65	95	65	45	16	2	4	14	77	15	1	400	3.1
Z77380	5.5	130	67	36.5	42.5	65	95	65	45	16	2	4	14	77	15	1.6	400	3.1
Z77390	5.5	130	67	36.5	42.5	65	95	65	45	16	2	4	14	77	15	2.5	400	3.1
Z77400	5.5	130	67	36.5	42.5	65	95	65	45	16	2	4	14	77	15	4	400	3.1
Z77410	5.5	150	67	36.5	52.5	75	105	75	58	16	2	4	14	77	20	6.3	350	4.4
Z77420	5.5	160	67	37	57.5	80	115	85	68	18	2	4	14	77	25	10	200	5.3
Z77430	5.5	180	78	49	70	90	140	100	78	18	2	4	18	88	32	16	110	8.1
Z77440	5.5	200	78	49	75	100	150	110	88	19	3	4	18	88	40	25	60	9.5

\*For sizing see table on page 48