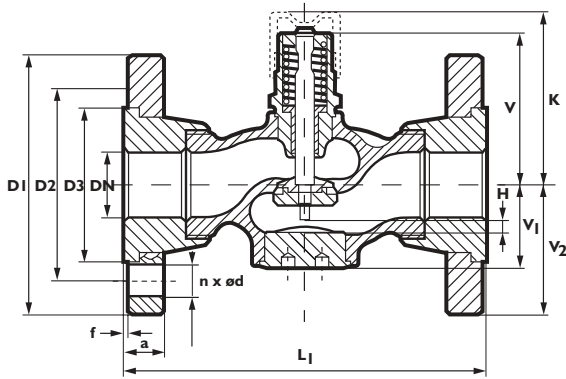


VL2FL 2 port DNI5/40 flanged PN16



VL2FL is a 2 port flanged valve for PN 16 DN 15 – 40. Suitable actuators for this valve are Series 220.

Media

The valve can handle the following types of media:

- Hot and chilled water.
- Water with antifreeze additives such as glycol.

Material

- Body – Grey cast iron EN-JL 1040
- Stem – Stainless steel 1.4021
- Plug – Stainless steel 1.4021
- Seat seal – EPDM
- Packing box seal – EPDM
- Seat – Grey cast iron EN-JL 1040

Technical data

- Type – 3 port plug valve
- Pressure class – PN16
- Flow characteristics – EQM
- Stroke – 5,5 mm
- Rangeability Kvs/Kv min – 50
- Leakrate – <0,001% of Kvs
- ΔP Max – See table
- Temperature of medium – max. +150°C
min. +2°C

Connections

- Flanged

Art No.	H	LI	V	V1	V2	D1	D2	D3	a	f	n	d	K	DN	Kvs*	ΔP _{max}	Weight
																	kg
Z77230	5.5	130	67	36.5	42.5	95	65	45	16	2	4	14	77	15	0.25	400	2.3
Z77240	5.5	130	67	36.5	42.5	95	65	45	16	2	4	14	77	15	0.4	400	2.3
Z77250	5.5	130	67	36.5	42.5	95	65	45	16	2	4	14	77	15	0.63	400	2.3
Z77260	5.5	130	67	36.5	42.5	95	65	45	16	2	4	14	77	15	1	400	2.3
Z77270	5.5	130	67	36.5	42.5	95	65	45	16	2	4	14	77	15	1.6	400	2.3
Z77280	5.5	130	67	36.5	42.5	95	65	45	16	2	4	14	77	15	2.5	400	2.3
Z77290	5.5	130	67	36.5	42.5	95	65	45	16	2	4	14	77	15	4	400	2.3
Z77300	5.5	150	67	36.5	52.5	105	75	58	16	2	4	14	77	20	6.3	350	3.2
Z77310	5.5	160	67	37	57.5	115	85	68	18	2	4	14	77	25	10	200	3.8
Z77320	5.5	180	78	49	70	140	100	78	18	2	4	18	88	32	16	110	5.9
Z77330	5.5	200	78	49	75	150	110	88	19	3	4	18	88	40	25	60	6.9

*For sizing see table on page 48