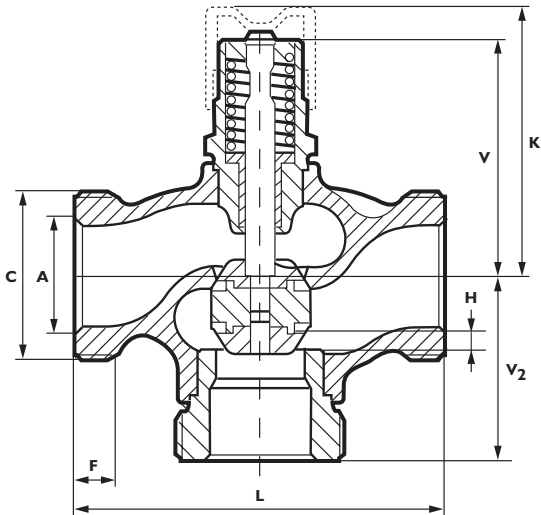


VL3TL 3 port DN15/40 male threaded BSP PN16



VL3TL is a 3 port external threaded valve for PN 16 DN 15 – 40. Suitable actuators for this valve are Series 220.

Media

The valve can handle the following types of media:

- Hot and chilled water.
- Water with antifreeze additives such as glycol.

Options

Connection sets with threaded, solder or weld unions are available as an option.

Material

- Body – Grey cast iron EN-JL 1040
- Stem – Stainless steel 1.4021
- Plug – Stainless steel 1.4021
- Seat seal – EPDM
- Packing box seal – EPDM
- Seat – Grey cast iron EN-JL 1040

Technical data

- Type – 3 port plug valve
- Pressure class – PN16
- Flow characteristic A–AB – DN 15–25 EQM
DN 32–40 Linear
- Flow characteristic B–AB – Linear
- Stroke – 5,5 mm
- Rangeability Kvs/Kv min – 50
- Leakrate A–AB – <0,001% of Kvs
- ΔP Max – See table
- Temperature of medium – max. +150°C
min. +2°C

Connections

- External thread

| Art No. | H | L | V | V ₂ | A | C | F | K | DN | Kvs* | ΔP _{max} | Weight |
|---------|-----|-----|----|----------------|----|---------|----|----|----|------|-------------------|--------|
| | | | | | | | | | | | | kg |
| Z77120 | 5.5 | 100 | 67 | 50 | 25 | G 1 | 9 | 77 | 15 | 0.25 | 400 | 1.35 |
| Z77130 | 5.5 | 100 | 67 | 50 | 25 | G 1 | 9 | 77 | 15 | 0.4 | 400 | 1.35 |
| Z77140 | 5.5 | 100 | 67 | 50 | 25 | G 1 | 9 | 77 | 15 | 0.63 | 400 | 1.35 |
| Z77150 | 5.5 | 100 | 67 | 50 | 25 | G 1 | 9 | 77 | 15 | 1 | 400 | 1.35 |
| Z77160 | 5.5 | 100 | 67 | 50 | 25 | G 1 | 9 | 77 | 15 | 1.6 | 400 | 1.35 |
| Z77170 | 5.5 | 100 | 67 | 50 | 25 | G 1 | 9 | 77 | 15 | 2.5 | 400 | 1.35 |
| Z77180 | 5.5 | 100 | 67 | 50 | 25 | G 1 | 9 | 77 | 15 | 4 | 400 | 1.35 |
| Z77190 | 5.5 | 100 | 67 | 50 | 32 | G 1 1/4 | 10 | 77 | 20 | 6.3 | 350 | 1.75 |
| Z77200 | 5.5 | 105 | 67 | 52.5 | 38 | G 1 1/2 | 11 | 77 | 25 | 10 | 200 | 2.15 |
| Z77210 | 5.5 | 130 | 78 | 65 | 47 | G 2 | 12 | 88 | 32 | 16 | 110 | 3.8 |
| Z77220 | 5.5 | 140 | 78 | 70 | 53 | G 2 1/4 | 14 | 88 | 40 | 25 | 60 | 4.4 |

*For sizing see table on page 48