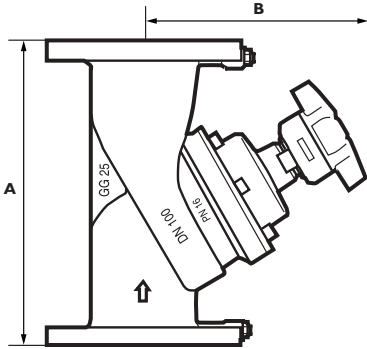
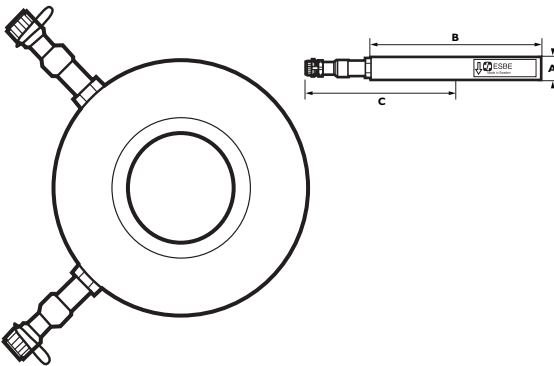


**Double regulating valve STVU DN65/300
cast iron flanged PN16**



Art No.	Size DN	A	B	Max. Kv	Kg
Z5065U	65	290	225	93.5	14
Z5080U	80	310	240	110	20
Z5100U	100	350	260	190	26
Z5125U	125	400	290	301	40
Z5150U	150	480	300	425	50
Z5200U	200	600	510	765	125
Z5250U	250	730	530	1185	222
Z5300U	300	850	610	1450	260

**Measuring station MRFN DN65/300
wafer pattern for PN16**



Kv-Commissioning stations

Art No.	DN	Kv	A	B	C
Z5064R	65	77	20	129	127
Z5079R	80	97	20	144	134
Z5099R	100	177	20	164	144
Z5124R	125	285	20	194	159
Z5149R	150	399	20	220	172
Z5199R	200	706	20	275	200
Z5249R	250	1090	20	331	228
Z5299R	300	1370	20	386	255

Double regulating valve STVU DN65/300 with measuring station MRFN DN65/300 is used for flow measurement in heating and cooling installations. The measuring station is a wafer pattern for installation between PN16 flanges within the bolt circle. Test points are diaphragm type which accept commercial probes.

Installation

For optimum accuracy, commissioning stations should be installed with 5 to 10 pipe diameters of straight pipe on the upstream side. The test points, which should not be installed facing downwards (to avoid dirt affecting the accuracy of measurement) are provided with sealing caps with a red cap on the high pressure side and blue cap on the low pressure side as required by BS7350.

For sizes up to 300mm the measuring stations type MRFN combine with double regulating valves STVU to form commissioning sets.

Material

- Body – Cast Iron
- Other parts in contact with water – DZR copper alloy
- Seat seal – EPDM
- Gaskets – EPDM rubber
- Measuring Station – Electroless nickel

Pressure and temperature ratings

- Max. working temperature – 120°C
 - Max. static pressure – 16 bar
- Kv values, Kvs values, also pressure and temperature ratings, comply with the requirements of BS7350.

Head loss/Flow rate for commissioning sets

