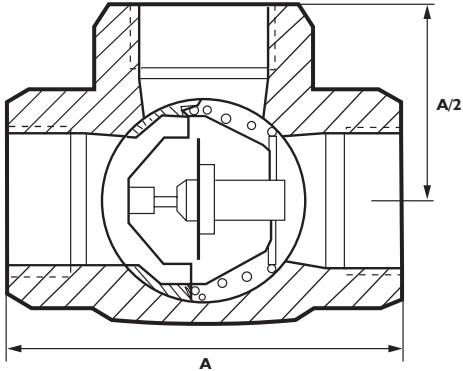
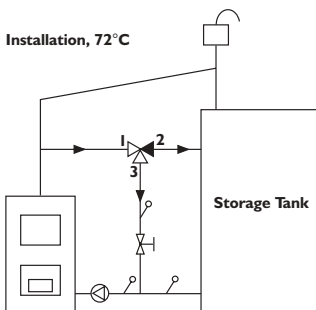
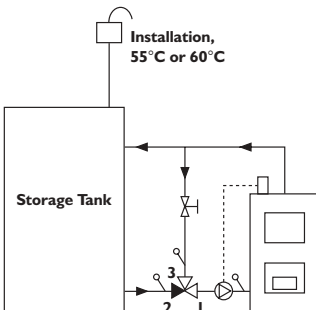


## Boiler back-end protection valve type TV DN25/40 female threaded BSP



Art No.	Ref	Dimension	Opening temperature	A mm	Kv-value*	kg
Z461100	TV25	1" BSP	+72°C	105	9	1.5
Z46200	TV32	1 1/4" BSP	+72°C	115	14	2.0
Z46300	TV40	1 1/2" BSP	+72°C	120	17	2.4
Z46400	TV25	1" BSP	+60°C	105	9	1.5
Z46500	TV32	1 1/4" BSP	+60°C	115	14	2.0
Z46600	TV40	1 1/2" BSP	+60°C	120	17	2.4



3 port thermic valves type TV are thermostatic valves regulating one port for use in heating installations.

### Application

Typical applications are in heating installations where solid fuel boilers are used to feed storage tanks. The TV valve will protect the boiler from low return water temperatures. It can either be installed in the hot water feed (72°C) or in the return line (55°C or 60°C).

The latter is recommended as it offers a simpler pipe layout for expansion (see examples) as well as prolonging the life of the thermostat.

### Function

Port 2 opens with the temperature rise. The valve is available in four versions, for 45°C, 55°C, 60°C and 72°C opening temperatures. Port 2 will be fully open at 10°C higher than the initial opening temperature. The valve can be mounted in any position.

### Technical data

Max working temperature	- 110°C
Nominal pressure	- PN 6
Connections	- Female BSP 1" to 1 1/2"

### Media

Water with the following additives:

- Glycol, up to a maximum of 50% (as anti-freeze)
- Oxygen absorbing compounds

### Service and maintenance

The TV valve does not need any maintenance.

Spare thermostats are available and easy to replace if necessary.