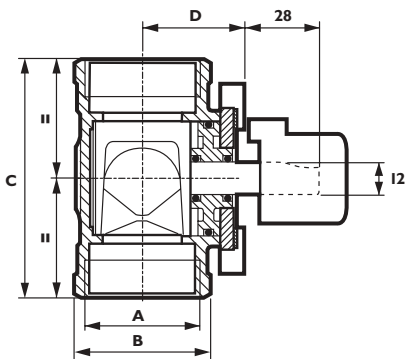
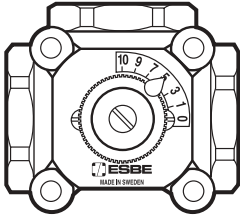


**3MG 3 port DNI5/32**  
**DZR brass female threaded BSP PN10**

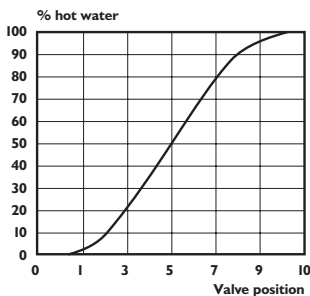


Art No.	Ref	A	B	C	D
Z12100	3 MG 15-2.5	1/2" BSP	35	72	33
Z12200	3 MG 20-4	3/4" BSP	35	72	33
Z12300	3 MG 20-6.3	3/4" BSP	35	72	33
Z12400	3 MG 25-8	1" BSP	42	72	33
Z12500	3 MG 22-6.3	22mm	32	102	33
Z12600	3 MG 28-8	28mm	41	104	33
Z12700	3 MG 25-12	1" BSP	42	88	37
Z127 AG	3 MGA 25-12	1 1/4" BSP	93	33	
Z12800	3 MG 32-18	1 1/4" BSP	50	88	37

Art No.	Ref	KVS*	Let-by in % of flow by mixing	diverting	Weight kg
Z12100	3 MG 15-2.5	0.6	0.1	0.1	0.7
Z12200	3 MG 20-4	1	0.1	0.1	0.7
Z12300	3 MG 20-6.3	1.2	0.1	0.1	0.7
Z12400	3 MG 25-8	1.6	0.05	0.1	0.7
Z12500	3 MG 22-6.3	2.5	0.05	0.03	0.7
Z12600	3 MG 28-8	4	0.05	0.03	0.6
Z12700	3 MG 25-12	0.05	0.03	0.7	
Z127 AG	3 MGA 25-12	6.3	0.05	0.03	0.7
Z12800	3 MG 32-18	8	0.05	0.03	0.7

\*See graph on page 48

**Valve characteristic**



3MG 3 port DNI5/32 DZR brass female threaded BSP PN10

**Operation**

The MG is a compact mixing valve made of brass in sizes from 15 to 32 mm for use in heating and cooling installations.

A knob is supplied to provide manual operation. However for powered automatic operation, the knob is removed to allow series 60 actuator or series 90 actuator, to be fitted.

The MG 3 port valve has BSP female connections sizes 1/2 to 1 1/4 and also copper compression ends in 22mm and 28mm sizes.

Valves are made from DZR brass alloy and therefore suitable for domestic hot water services.

**Service and maintenance**

All major parts are replaceable.

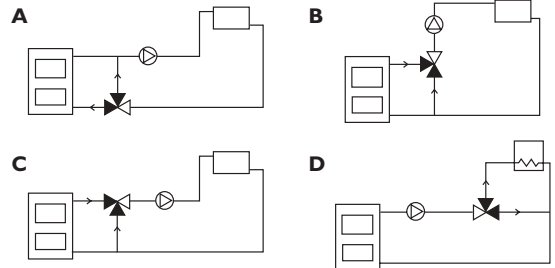
**Material**

- 3MG valve body, spindle and slide – Brass DZR, CW 602N
- Bushing – Plastic
- Cover plate – Zinc
- O-rings – EPDM

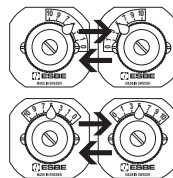
**Technical data**

- Max. static pressure – 10 bar (1 MPa)
- Max. temperature – 130°C
- Min. temperature: – -10°C
- Max. differential pressure drop – 100 kPa
- Torque – Max. 3 Nm
- Leakrate – See table
- Rangeability 3 MG (Kvs/Kv min.) – 100

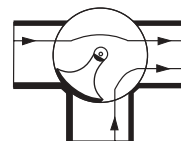
**Example of installations**



All the examples of installations can be reversed. The valve position plate is graduated on both sides and shall at the installation be fitted in the correct position as shown in the instruction for installation.



**Mixing**



**Diverting**

