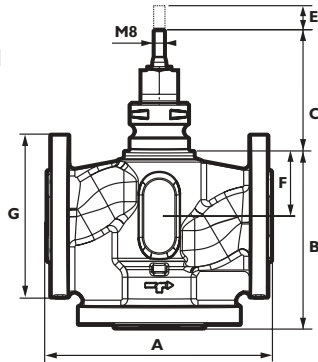
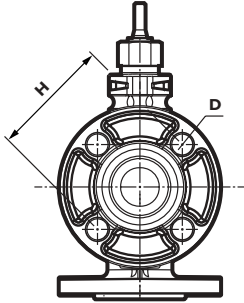


VL3FA 3 port DN15/150 flanged PN16**Material DN 65 – 150**

Body	– Grey cast iron EN-JL 1040
Stem	– Stainless steel DIN 1.4305
Plug	– DN 65 - 100, Brass DIN 2.0401, DN 125 - 150, Stainless steel DIN 1.4305
Seat seal	– Metallic
Packing box seal	– DN 65 - 100, EPDM DN 125 - 150, Teflon
Seat	– DN 65 - 100, Grey cast iron EN-JL 1040, DN 125 - 150 Stainless steel DIN 1.4021

VL3FA is a 3 port flanged valve for PN16, DN 15–150. Suitable actuators for this valve are Series 200 / 210 / 230.

Media

The valve can handle the following types of media:

- Hot and chilled water.

If the valve is used for media at temperatures below 0°C (32°F), it should be equipped with a stem heater in order to prevent ice formation on the valve stem.

Material DN 15 – 50

Body	– Nodular iron EN-JS 1030
Stem	– Stainless steel SS 2346
Plug	– Brass DZR, CW602N
Seat seal	– EPDM
Packing box seal	– PTFE/EPDM
Seat	– Nodular iron EN-JS 1030

Technical data

Type	– 3 port plug valve
Pressure class	– PN16
Flow characteristic	– EQM
Stroke	– 20 mm
Rangeability Kvs/Kv min	– >50
Leakrate A–AB	– DN 15 - 50, Tight sealing DN 65 - 150, 0.05% of Kvs
Leakrate B–AB	– DN 15 - 50, Tight sealing DN 65 - 100, 2% of Kvs DN 125 - 150, 1% of Kvs
Temperature of medium	– max. +120°C DN 15 - 50, min. -20°C DN 65 - 150, min. -10°C
Connections	– Flange according to ISO 7005-2

Art No.	A	B	C	D	E	F	G	H	DN	kg	Kvs*
Z71330	130	65	123	4x14	20	38	95	65	15	2.5	1.6
Z71340	130	65	123	4x14	20	38	95	65	15	2.5	2.5
Z71350	130	65	123	4x14	20	38	95	65	15	2.5	4
Z71360	150	75	126	4x14	20	41	105	75	20	3.2	6.3
Z71370	160	80	131	4x14	20	46	115	85	25	3.8	10
Z71380	180	90	144.5	4x19	20	59.5	140	100	32	6.6	16
Z71390	200	100	146	4x19	20	61	150	110	40	7.5	25
Z71400	230	115	161	4x19	20	76	165	125	50	10	38
Z77620	290	145	218	4x19	40	68	185	145	65	17.5	63
Z77630	310	155	225	8x19	40	75	200	160	80	23.3	100
Z77640	350	175	240	8x19	40	90	220	180	100	32	160
Z77650	400	275	342	8x18	40	192	250	210	125	82	250
Z77660	480	290	372	8x22	40	222	285	240	150	113	340

*For sizing see table on page 48