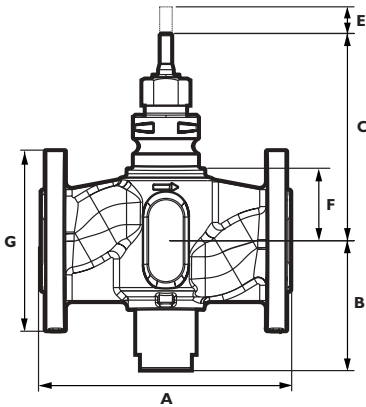
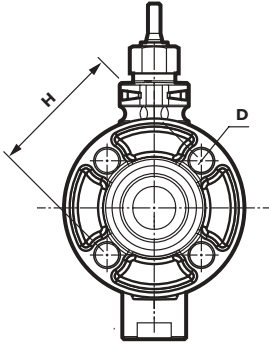


### VL2FAA 2 port DN25/50 flanged PN16 (PB)



VL2FAA is a 2 port flanged valve - pressure balanced trim for PN16, DN 15–150. Suitable actuators for this valve are Series 200 / 210 / 230.

#### Media

The valve can handle the following types of media:

- Hot and chilled water.

If the valve is used for media at temperatures below 0°C (32°F), it should be equipped with a stem heater in order to prevent ice formation on the valve stem.

#### Material DN 15 – 50

Body	– Nodular iron EN-JS 1030
Stem	– Stainless steel SS 2346
Plug	– Brass DZR, CW602N
Seat seal	– EPDM
Packing box seal	– PTFE/EPDM
Seat	– Nodular iron EN-JS 1030

#### Material DN 65 – 150

Body	– Grey cast iron EN-JL 1040
Stem	– Stainless steel DIN 1.4305
Plug	– DN 65 – 100, Brass DIN 2.0401, DN 125 – 150, Stainless steel DIN 1.4305
Seat seal	– Metallic
Packing box seal	– DN 65 – 100, EPDM DN 125 – 150, Teflon
Seat	– DN 65 – 100, Grey cast iron EN-JL 1040, DN 125 – 150 Stainless steel DIN 1.4021

#### Technical data

Type	– 2 port plug valve
Pressure class	– PN16
Flow characteristic	– EQM
Stroke	– 20 mm
Rangeability Kvs/Kv min	– >50
Leakrate	– Tight sealing
Temperature of medium	– max. +120°C DN 15 – 50, min. -20°C DN 65 – 150, min. -10°C
Connections	– Flange according to ISO 7005-2

Art No.	A	B	C	D	E	F	G	H	DN	kg	Kvs*
Z71410	160	83	131	4x14	20	46	115	85	25	3.4	10
Z71420	180	87.5	144.5	4x19	20	59.5	140	100	32	5	16
Z71430	200	83.5	146	4x19	20	61	150	110	40	6.1	25
Z71440	230	99.5	161	4x19	20	76	165	125	50	8.3	38

\*For sizing see table on page 48